

AM Legal Associates

Regd. Office: #5, 3rd Floor, DSK Kartik Bldg., Apex Colony, Shanti Sheela Hsg. Society, Bafna-Tata Motors Showroom Lane, Law College Road, Erandwane, Pune M.S. India 411004

Phone 91. 9607 300 350 Email: amassist@amlegassociates.com, ipassociate18@gmail.com

INDUSTRIAL DESIGN DISCLOSURE FORM

NOTE Please refer the FAQ on last page of this document.

Sr. No	APPLICANT DETAILS:		
1	Name, Email and Phone No.	Nationality and AADHAR No.	Address and email:
1.1	Dr. K.N Vijaya Kumar Email:VijayKumar.Kottur@djsce.ac.in Cell: 9869363683	INDIAN 596279608675	SVKM's Dwarkadas J. Sanghvi College of Engineering, No. U-15, J.V.P.D. Scheme, Bhaktivedanta Swami Rd, Opp.Cooper Hospital, Vile Parle, Mumbai, Maharashtra 400056 Email:VijayKumar.Kottur@djsce.ac.in
1.2	Dr. Hari Vasudevan Email: Principal@djsce.ac.in Cell: 9821464696	INDIAN 454277976993	SVKM's Dwarkadas J. Sanghvi College of Engineering, No. U-15, J.V.P.D. Scheme, Bhaktivedanta Swami Rd, Opp.Cooper Hospital, Vile Parle, Mumbai, Maharashtra 400056 Email: Principal@djsce.ac.in
1.3	Shri Vile Parle Kelavani Mandal's Dwarkadas J. Sanghvi College of Engineering		U-15, JVPD Scheme, Bhaktivedanta Swami Road, Opp. Cooper Hospital, Vile Parle West, Mumbai - 400056
1.4	Prof.Rajnarayan Yadav	Indian 649178596065	B-1501,Parinee Essence, Bhabrekar nagar ,opp JMD skoda workshop,Knadiwali (west) 400067
1.5	Siddharth Jain siddh120011@gmail.com +91-9819012893	Indian 796686254191	61, Ratnakar CHS LTD, 8th Khetwadi, Mumbai - 400004
1.6	Shubh Shetty Shubhshetty4@gmail.com +919920974952	Indian 436562822781	B/8, Sadanand Park CHS, Gorai Road, Borivali – W, Mumbai - 400091
1.7	Vinit Kothari vinitkothari2000@gmail.com +91-9930849511	Indian 850251735568	A/904, krishna kunj, salasar brijbhoomi, 150 ft road, bhayander - W, thane- 401101

AM Legal Associates

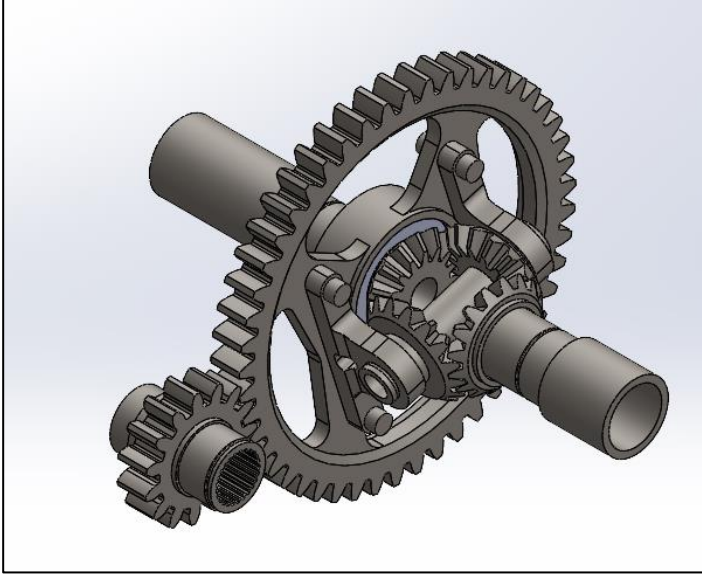
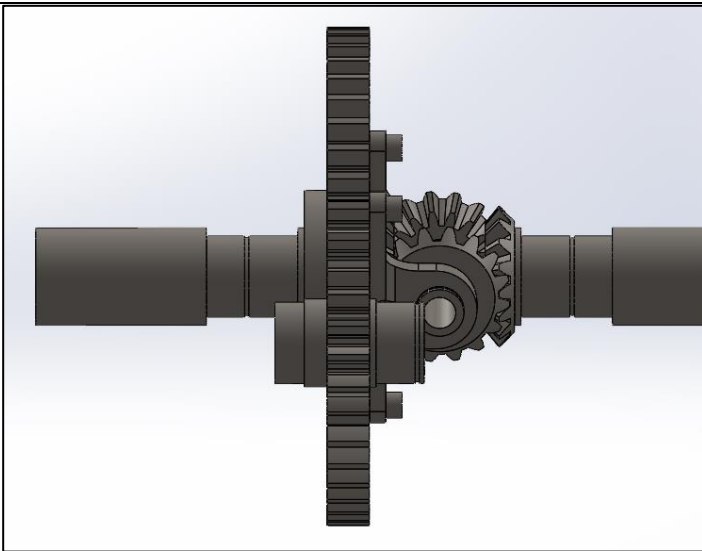
Regd. Office: #5, 3rd Floor, DSK Kartik Bldg., Apex Colony, Shanti Sheela Hsg. Society, Bafna-Tata Motors Showroom Lane, Law College Road, Erandwane, Pune M.S. India 411004

Phone 91. 9607 300 350 Email: amassist@amlegassociates.com, ipassociate18@gmail.com

1.8	Vishrut Viradia viradia18120@gmail.com +91-9920523822	Indian 588385000421	B/601, Ruchi apartments, devidas lane, borivali - west, mumbai - 400092
In case of additional applicants add additional rows accordingly:			
2	Title of the article:	Design of single stage open differential	
3	Description of the article (Max 200 Words):	When an automobile travels around a corner, the distance travelled by the outside wheels is greater than that travelled by the inside wheels. But, if the wheels are driven positively by the engine, a device is necessary which will permit them to revolve at different speeds without interfering with the propulsion system. To accomplish this purpose a system of gears called the differential is provided. The driving axle consists of a housing, a differential, two axle shafts and final drives.	
4	Applications/Uses of the article	Reduce the rotations coming from the gear box before the same are passed on to the rear axles. Change the direction of axis of rotation of the power by 90° i.e. from being longitudinal to transverse direction. Distribute power equally to both the rear driving axles when the vehicle is moving in straight direction. Distribute the power as per requirement to the driving axles during turning i.e. more rotations are required by the outer wheel as compared to the inner wheel - during turns.	
5	Please provide 7 views of the article in the following fields. The view should be 1. 3-D View (Perspective View), 2. Front View, 3. Rear View, 4. Top View, 5. Bottom View, 6. Left hand side view, 7. Right Hand Side View		

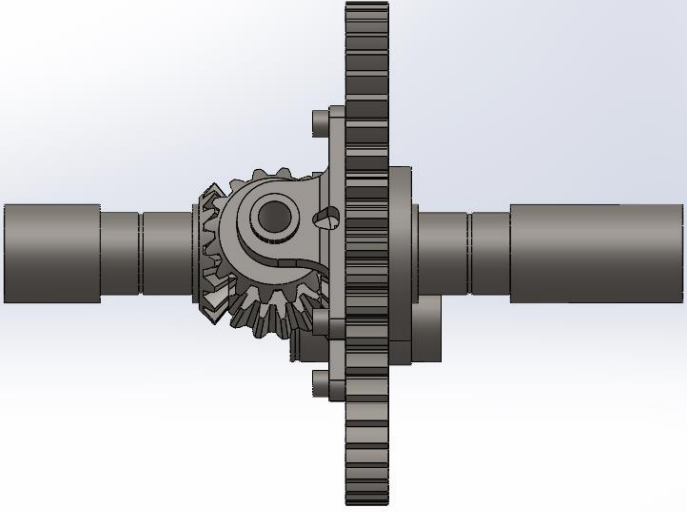
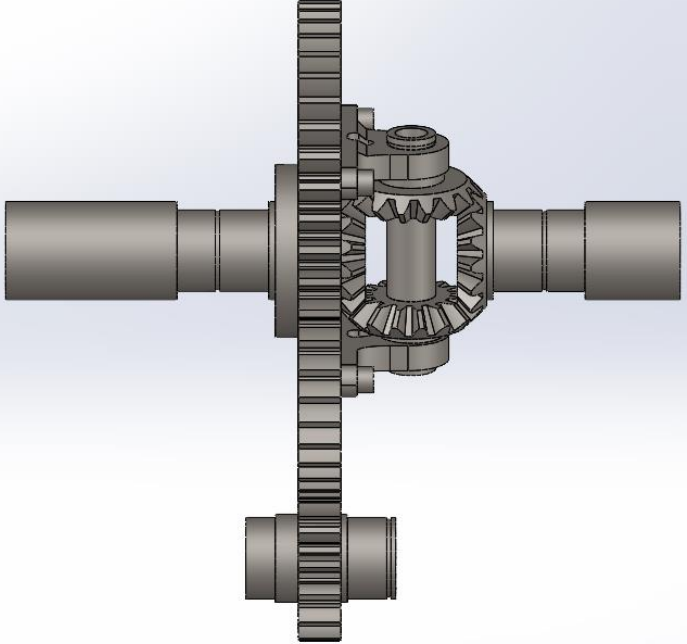
AM Legal Associates

Regd. Office: #5, 3rd Floor, DSK Kartik Bldg., Apex Colony, Shanti Sheela Hsg. Society, Bafna-Tata Motors Showroom Lane, Law College Road, Erandwane, Pune M.S. India 411004
Phone 91. 9607 300 350 Email: amassist@amlegalassociates.com, ipassociate18@gmail.com

5. 1	Perspective View (3D View)	 A 3D perspective view of a gear assembly. It features a large gear on the left, a smaller gear in the center, and another gear on the right. The gears are mounted on shafts and are connected by a frame. The assembly is shown in a perspective view, highlighting the three-dimensional structure.
5. 2	Front View	 A front view of the gear assembly. The gears are arranged in a horizontal line, with the largest gear on the left and the smallest gear on the right. The shafts are visible, and the assembly is shown in a flat, two-dimensional view.

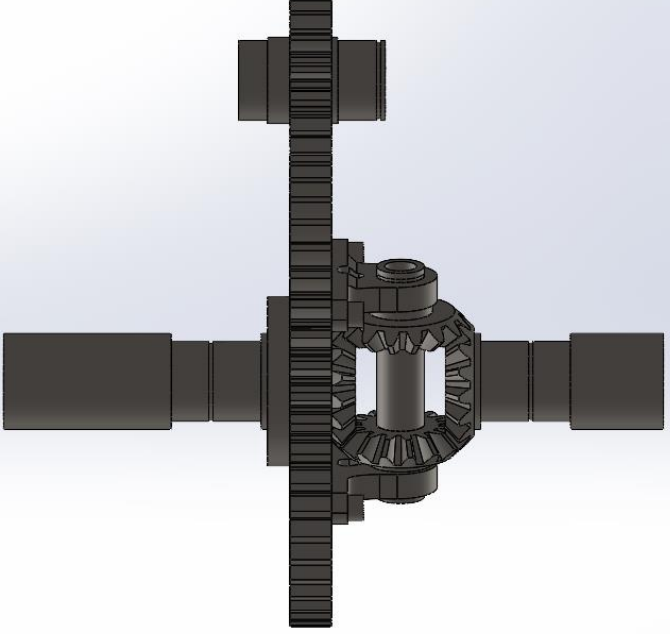
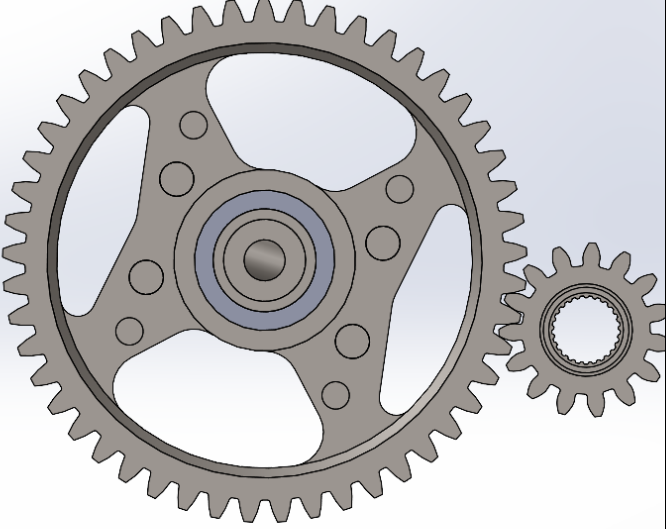
AM Legal Associates

Regd. Office: #5, 3rd Floor, DSK Kartik Bldg., Apex Colony, Shanti Sheela Hsg. Society, Bafna-Tata Motors Showroom Lane, Law College Road, Erandwane, Pune M.S. India 411004
Phone 91. 9607 300 350 Email: amassist@amlegalassociates.com, ipassociate18@gmail.com

5. 3 Rear View	 A 3D CAD rendering of a gear assembly from a rear perspective. The assembly consists of two shafts connected by a pair of meshing gears. The shaft on the left is shorter and has a single gear. The shaft on the right is longer and has a larger gear. The gears are meshed together, and the shafts are supported by bearings. The background is a light blue gradient.
5. 4 Top View	 A 3D CAD rendering of the same gear assembly from a top-down perspective. The two shafts are horizontal, and the gears are meshed vertically. The shaft on the right has a larger gear, and the shaft on the left has a smaller gear. The shafts are supported by bearings. The background is a light blue gradient.

AM Legal Associates

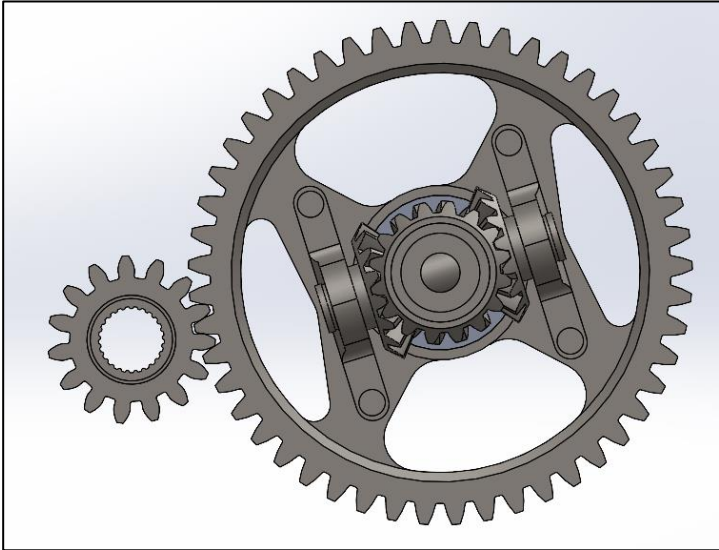
Regd. Office: #5, 3rd Floor, DSK Kartik Bldg., Apex Colony, Shanti Sheela Hsg. Society, Bafna-Tata Motors Showroom Lane, Law College Road, Erandwane, Pune M.S. India 411004
Phone 91. 9607 300 350 Email: amassist@amlegassociates.com, ipassociate18@gmail.com

5. 5	Bottom View	 A 3D CAD model of a gear assembly shown from a bottom perspective. The assembly consists of a central shaft with a gear mounted on it. This gear is in mesh with a larger gear mounted on a horizontal shaft. The larger gear has a complex, multi-lobed design. The entire assembly is supported by bearings and housing components.
5. 6	Left Side View	 A 2D CAD drawing showing the left side view of the gear assembly. It features a large gear with a complex, multi-lobed design on the left, which is in mesh with a smaller gear on the right. The drawing shows the teeth of both gears and the central shaft area.

AM Legal Associates

Regd. Office: #5, 3rd Floor, DSK Kartik Bldg., Apex Colony, Shanti Sheela Hsg. Society, Bafna-Tata Motors Showroom Lane, Law College Road, Erandwane, Pune M.S. India 411004

Phone 91. 9607 300 350 Email: amassist@amlegassociates.com, ipassociate18@gmail.com

5. 7	Right Side View	
Alternatively, please provide the 7 views in pdf files in the form of attachments to email along with this DDF.		

Industrial Design Registration FAQ

1. What is a design protection?
 - Design Registration is possible only for the outer features of an article such as shape, configuration, pattern, ornament or composition of lines or colours that are judged solely by the eye. It is to be understood that these features should be applied to the article in two dimensional or three dimensional or in both forms using any industrial process.
2. Who can apply for an industrial design?
 - Application for Design is done by a proprietor wherein the proprietor may be from India or from a Convention Country. However, the proprietor essentially needs to be an author of the design or a person, who has acquired the design, or a person for whom the design has been developed by the author, or a person on whom the design has devolved.
3. Are there any classes for filing a design application?
 - Every article that needs to be protected under design belongs to a particular class which needs to be mentioned in the design application form. However, a separate application is required to

AM Legal Associates

Regd. Office: #5, 3rd Floor, DSK Kartik Bldg., Apex Colony, Shanti Sheela Hsg. Society, Bafna-Tata Motors Showroom Lane, Law College Road, Erandwane, Pune M.S. India 411004
Phone 91. 9607 300 350 Email: amassist@amlegassociates.com, ipassociate18@gmail.com

- be filed for each class for registering of a design in more than one class. Under the Designs Rules, 2001, articles have been classified in 32 different classes and respective subclasses based on Locarno Classification.
4. How much time is required to get a design registered in India?
 - Ordinarily the time required for registration in India is around one year. However, this time is substantially dependent on the various phases through which the application proceeds such as for example, formality check pass, examination, objections, hearing and registration.
 5. Is there any difference between a patent and a design protection?
 - Yes. Patent provides exclusive rights for a product/process passing three criteria of patentability, namely Novelty, Inventive step and Industrial applicability. In comparison, the Design provides protection to ornamental or aesthetic look of an article solely appealing to an eye of the observer.
 6. What are the criteria to decide grant of a design?
 - The main criteria for deciding grant of design are Novelty and Originality. The design shall be considered to be new when it has not been disclosed to the public, anywhere in India or in any other Country, by publication or by use or in any other way, prior to the filing date or priority date. Originality means originating from the author of design for a first time or old in themselves yet they are new in their applications.
 7. What is term of a design protection in India?
 - The term of design protection in India is 10 years. However, this term may be extended by 5 more years. Effectively, the term of design protection in India is 15 years.
 8. What rights does a design owner have?
 - The proprietor of the design gets exclusive right called “copyright of designs” to apply the design to the article in a class in which the design is registered. The registered proprietor can institute a suit for injunction as well as recovery of damages against any person engaged in piracy of the registered design. The suit for injunction / damages can also be instituted in any Court not inferior than District court.
 9. Can a design registration be opposed?
 - Yes. There is a provision of cancellation in Designs Act. Any interested person can file a petition for cancellation of registered design based on various grounds mentioned in the designs Act.